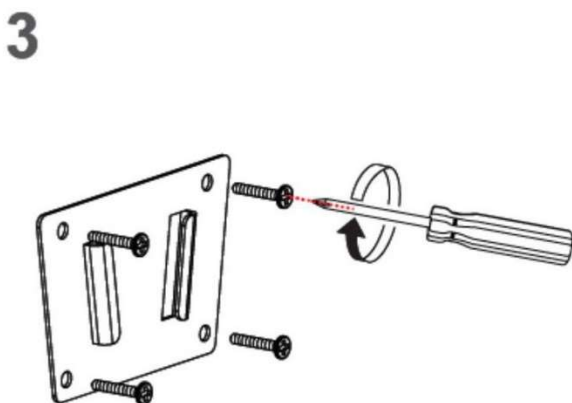
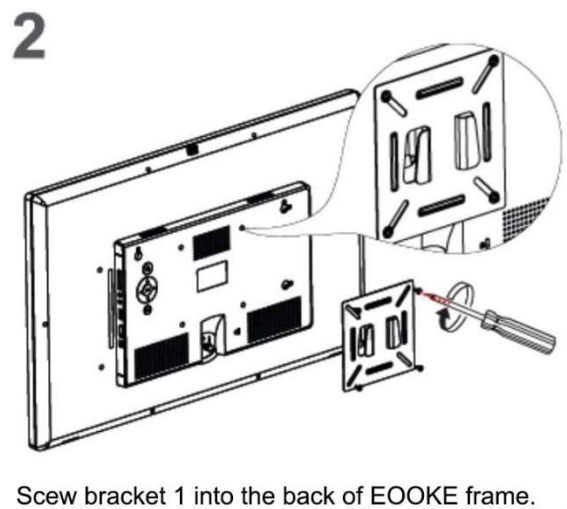
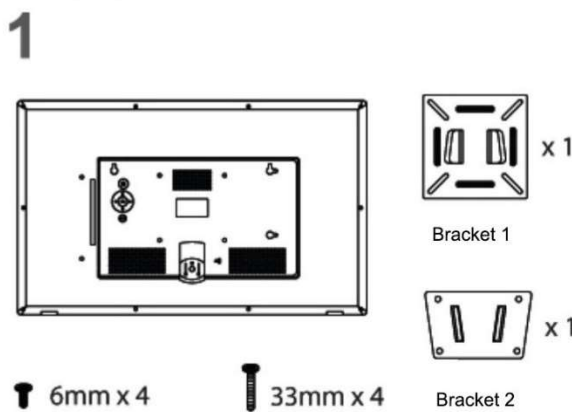


EOOKE Digital Frame Wall Mount Installation Guide

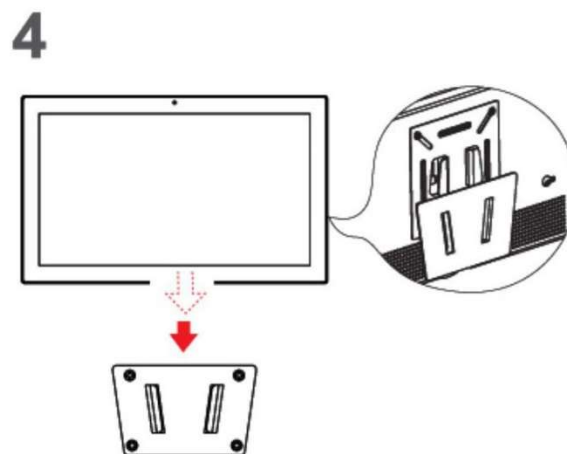


- Wall Bracket I (For size 19"/22"/24"/27"/32")

Wall Bracket I (19" -32")



Drill 4 holes on wall, tap the plastic anchors into wall, then attach and screw the bracket2 to the anchors.

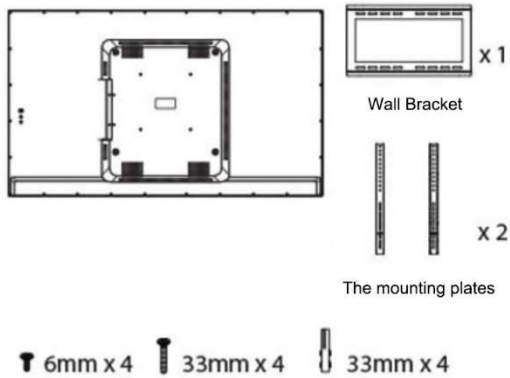


Attach the frame (bracket 1) to the bracket2.

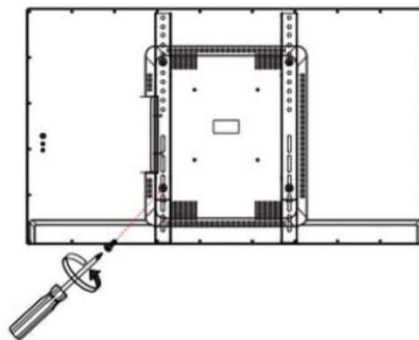
- Wall Bracket II (For size 43"/55")

Wall Bracket II (43" -65")

1

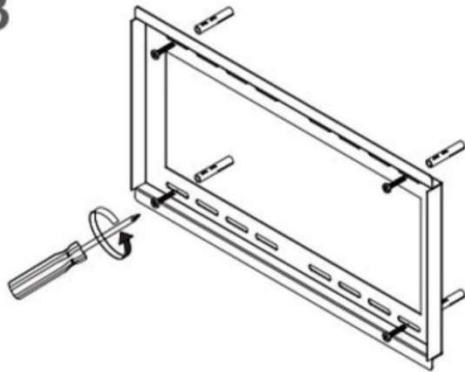


2



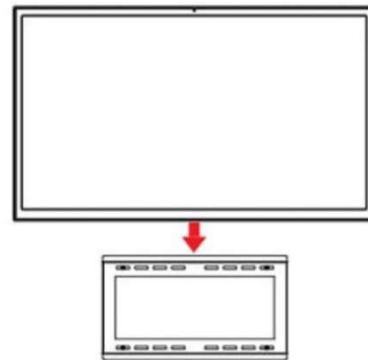
Attach the plates to the display using a screwdriver.
Drive in Safety Screws halfway from bottom of plates.

3



Drill 4 pilot holes through drywall and into studs in the proper position, screw the bracket to the wall.

4



Attach the display (mounting plates) to wall bracket.
Tighten the two Safety Screws

Note:

- 1) The guide only applies to following models: EO80019/EO80022/EO80024/EO80032/EO80043/EO80055.
- 2) Please find a qualified TV/Frame mounting service near you if you're not sure how to install.